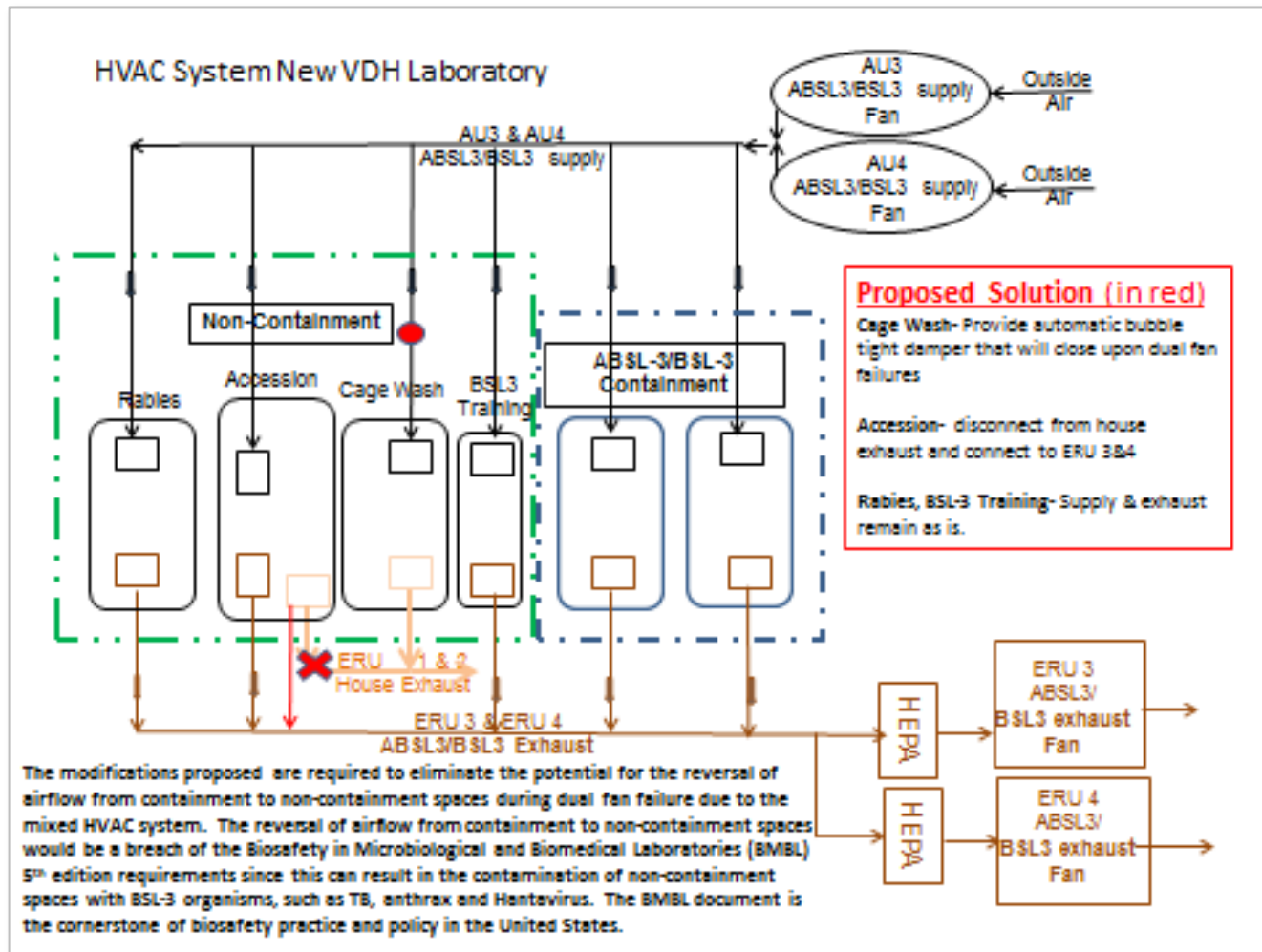


New Health Department Lab



New HVAC Design



Timeline

February	March	April	May	June	July	August
<ul style="list-style-type: none"> ▪ Funds identified for modification. ▪ Change Order submitted by BGS with approval for HDR to modify design (two weeks). ▪ Change order is under review. 	<ul style="list-style-type: none"> ▪ HDR to design modification (two weeks) ▪ PC const. to review modification and produce pricing and timeframe to BGS (two weeks). 	<ul style="list-style-type: none"> ▪ BGS gives notice to proceed on BSL revisions ▪ PC const. and sub-contractors to begin work within the laboratory (two months April and May) 	<p>PC construction and sub-contractors complete work within the laboratory.</p>	<ul style="list-style-type: none"> ▪ IPS performs commissioning with revised failure scenarios (two weeks). ▪ PC const. resolves issues if failure scenario(s) and commissioning do not pass. IPS repeats testing (TBD if needed). ▪ Dept. of Health submits failure scenario results to CDC Select Agent Program. ▪ Uninterrupted BSL-3 systems trending (two weeks) ▪ GBT repeats failure scenarios from IPS, verifies BSL-3 lab spaces. 	<ul style="list-style-type: none"> ▪ GBT produces BSL-3 verification report. ▪ Approval from CDC Select Agent Program 	<p>Relocation of laboratory barring any schedule issues.</p>